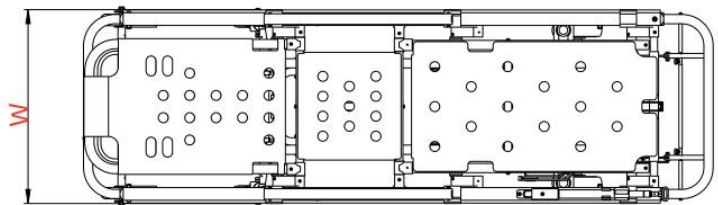
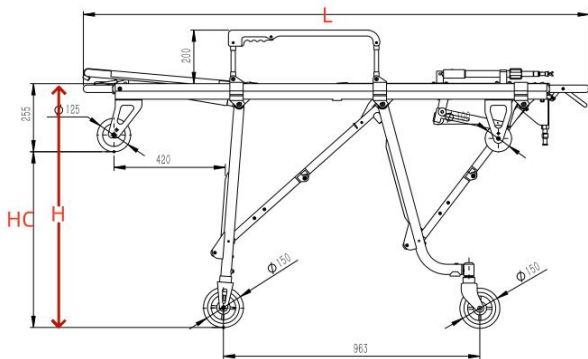




- Made of solid aluminium alloy.
- The rear leg is equipped with a safety lock device, which adopts an external eight-figure design to improve safety and make the structure more solid and stable without tipping.
- Stretcher guardrail unique design, easy to fold, save space.



DIMENSIONS AND WEIGHT:

		S	M	L
H	Height(mm)	260	/	910
HC	Height from floor to leading wheel(mm)	670	670	670
W	Width(mm)	570	570	570
L	Length(mm)	1900	1900	1900
	Weight(kg)	44	44	44

RELATED PRODUCT

