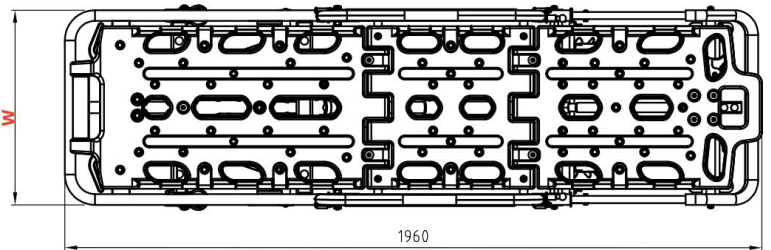
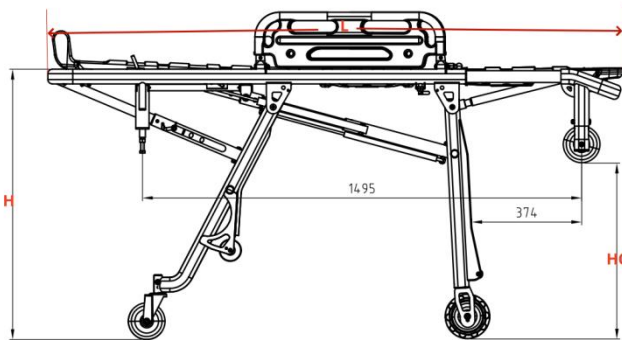


- Made of high-strength steel,it can be used with ambulances to facilitate the safe transfer of patients.
- It can adjust the height of the guide wheel through the telescopic tube to meet the needs of different types of ambulance chassis.
- Stretcher height can be adjusted in three gears,which can meet the transfer of different scenarios.
- Stretcher length can be 0-30cm telescopic,convenient access to small areas.



DIMENSIONS AND WEIGHT:

		S	M	L	XL
H	Height(mm)	305	580	755	925
HC	Height from floor to leading wheel(mm)	575	600	625	650
W	Width(mm)	545	545	545	545
L	Length(mm)	1630	1960	1960	1960
	Weight(kg)	42	42	42	42

RELATED PRODUCT

